

Diamond Board Installation Guide

Product Information and Application

Types of Diamond Board	Thickness (mm)	Width x Length (cm)	Weight (kg)	No. of Board per m ²	Application		
					Ceiling	Siding	Flooring
<p>Diamond board, Smooth Standard model</p>	3.5	2' x 2'	2	2.69	X	-	-
		4' x 4'	7.25	0.67	X	-	-
		4' x 8'	16	0.34	X	-	-
	4	4' x 4'	8.6	0.67	X	-	-
		4' x 8'	17.3	0.34	X	-	-
	4.5	4' x 8'	20.1	0.34	X	-	-
	6	4' x 8'	26	0.34	X	X	-
	8	4' x 8'	36	0.34	-	X	-
10	4' x 8'	51	0.34	-	X	-	
12	4' x 8'	52.32	0.34	-	X	X*	
18	120 x 240	85	0.35	-	-	X	
<p>Ventilated ceiling board, smooth surface Capsule pattern</p>	4	60 X 120	3.9	1.38	X	-	-
<p>Ceiling board, smooth surface Grooved</p>	4	60 X 120	4.2	1.38	X	-	-
<p>Decorative siding board, grain surface, 2-way groove</p>	8	60 X 120	8.5	1.38	-	X	-
<p>Decorative siding board, smooth surface, U-groove 3 inches</p>	8	60 X 240	17.3	0.69	-	X	-
<p>Decorative siding board, smooth surface, V-groove 4 inches</p>	8	120 X 240	36.7	0.35	-	X	-

* For use as underlying board before ceramic tiles, rubber tiles or laminated tiles.

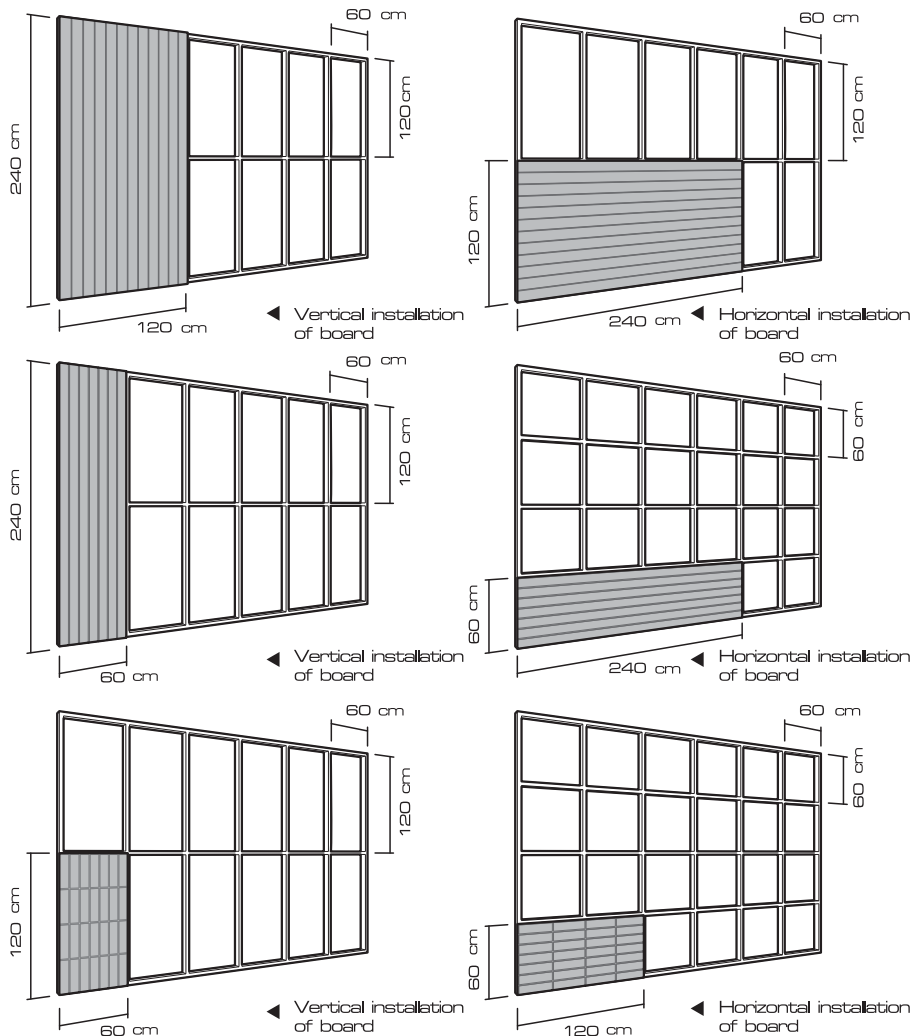
Installation Tools and Equipment

Pencil/Marker
Ligament
Chalk Reel
Metric Tape Measure
Cutter
Square
Screwdriver/Electric Screwdriver (Phillips Screwdriver)
Grinder
Flat Level

Diamond self-drilling screw with wing tek, Length 28.5 mm for securing steel framework
Flashing screw ** Length 28 - 30 mm for securing wooden framework
Diamond self-tapping screw, Length 32 mm for securing steel framework
Flashing screw ** Length 32 mm for securing wooden framework

** Equipment can be purchased from construction materials stores.

Setting the Stud Spacing for General Siding Work



For Diamond Board, Smooth Standard Model and Decorative Siding Board, Smooth Surface, V-groove 4 Inches

- Size** : 120 x 240 cm; Thickness 8 mm
Installation method : Both vertical and horizontal installation (only vertical installation recommended standard model)
Stud spacing : Main stud spacing (vertical) at every 60 cm
 Intermediate stud spacing (horizontal) at every 120 cm
Installation equipment:
 - Wooden framework- flashing screws; Length 28 - 30 mm
 - Diamond steel framework C75 self-drilling screw with wing tek; Length 28.5 mm**Interval for securing** : 1.2 - 1.5 cm from the edge, at every 30 cm interval

Decorative Siding Board, Smooth Surface, U-groove 3 Inches

- Size** : 60 x 240 cm; Thickness 8 mm
Installation method : Both vertical and horizontal installation
Stud spacing : Vertical installation-Stud spacing 60 x 120 cm
 Horizontal installation-Stud spacing 60 x 60 cm
Installation equipment:
 - Wooden framework- flashing screw; Length 28 - 30 mm
 - Diamond steel framework C75 self-drilling screw with wing tek; Length 28.5 mm**Interval for securing** : 1.2 - 1.5 cm from the edge, at every 30 cm interval

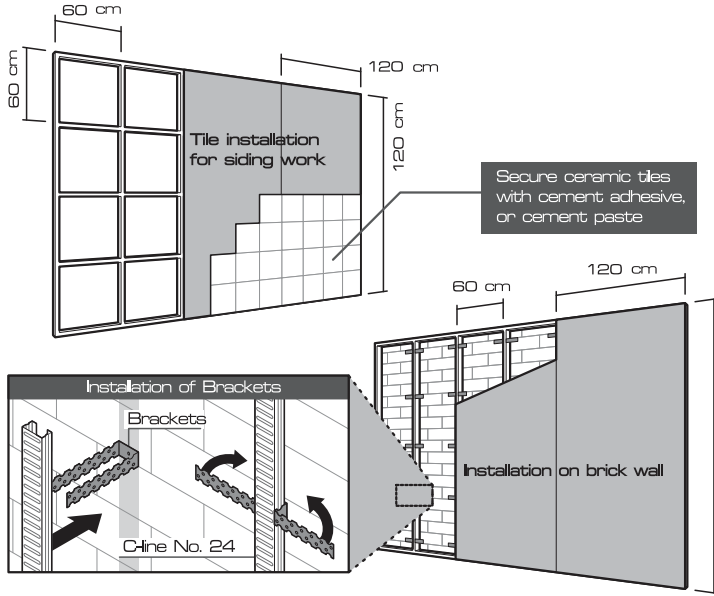
Decorative Siding Board, Grain Surface, 2-way Groove

- Size** : 60 x 120 cm; Thickness 8 mm
Installation method : Both vertical and horizontal installation
Stud spacing : Vertical installation-Stud spacing 60 x 120 cm
 Horizontal installation-Stud spacing 60 x 60 cm
Installation equipment:
 - Wooden framework- flashing screw; Length 28 - 30 mm
 - Diamond steel framework C75 self-drilling screw with wing tek; Length 28.5 mm**Interval for securing** : 1.2 - 1.5 cm from the edge, at every 30 cm interval

Setting Stud Spacing for

Tile Siding Work, and Installation on Brick Wall

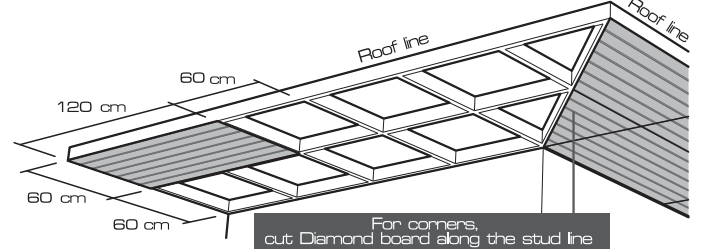
- Product** : Diamond board, Smooth standard model
 Size 120 x 240 cm; Thickness 8 - 12 mm
- Type of stud** : Galvanized steel stud C75; Thickness 0.55 mm and higher
- Stud spacing** : 60 x 60 cm
- Installation equipment** : Self-drilling screw with wing tek; Length 28.5 mm
- Interval for securing** : 1.2 - 1.5 cm from the edge, at every 20 cm interval



- Product** : Diamond board, Smooth standard model
 Size 120 x 240 cm; Thickness 8 - 12 mm
- Type of stud** : C-line steel framework No. 24; Thickness 0.55 mm + Bracket
- Stud spacing** : At every 60 cm
 (Bracket spacing, vertical, at not more than 50 cm)
- Installation equipment** : Diamond self-drilling screw with wing tek; Length 28.5 mm
- Interval for securing** : 1.2 - 1.5 cm from the edge, at every 20 cm interval

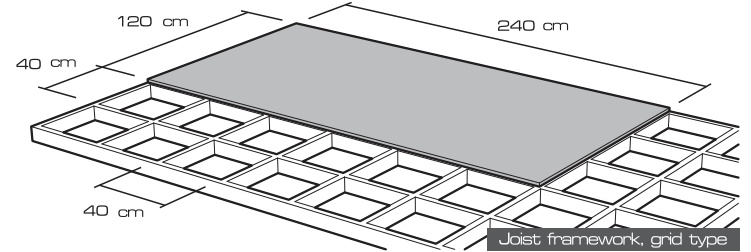
Setting Stud Spacing for Ceiling Work

- Product** : Diamond board, Smooth standard model,
 Capsule pattern ventilating ceiling and ceiling boards,
 smooth surface, grooved, size 60x120 cm; Thickness 4 mm
- Installation method** : Horizontal installation, parallel to the roof line
- Stud spacing** : 60 x 60 cm
- Installation equipment** : • Wooden framework- flashing screw; Length 28-30 mm
 • Diamond steel framework-self-drilling screw with wing tek; Length 28.5 mm
- Interval for securing** : 1.2 - 1.5 cm from the edge, at every 30 cm interval



Setting Joist Framework Spacing for Flooring Board

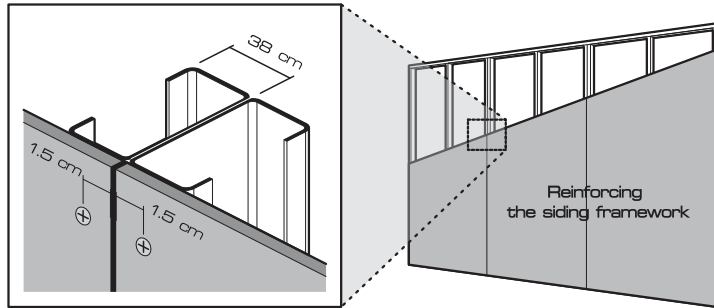
- Size** : 120 x 240 cm; Thickness 18 mm
- Joist framework spacing** : Grid framework 40 x 40 cm or joist framework, one-way at spacing of no more than 40 cm
- Installation equipment** : • Wooden framework-flashing screw; Length 32 mm
 • Diamond steel framework-self-tapping screw; Length 32 mm
- Interval for securing** : 1.5 cm from the edge, at every 40 cm interval



Reinforcing the Siding and Flooring Framework, at the Board Edge

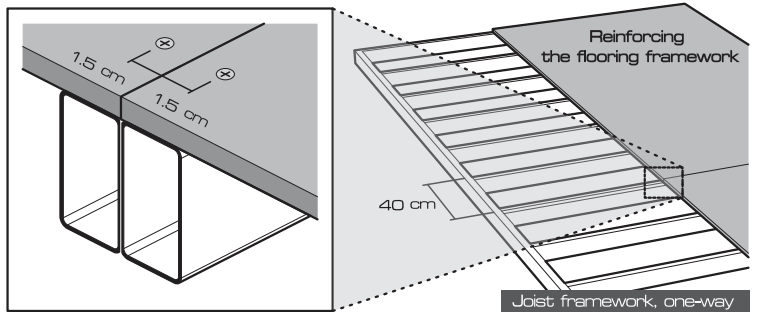
For Siding Board

In case that the siding framework has a span width less than 38 mm, the framework should be jointed together at the board joints to increase the spacing for securing with screws.



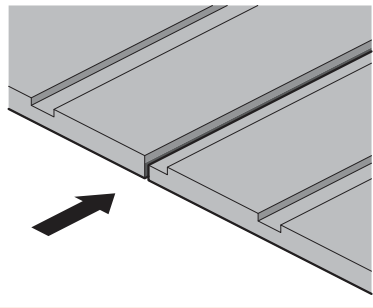
For Flooring Board

For installation of flooring boards on one-way joist framework at the board joints, this should be reinforced with double joists to support the load at the edge area throughout the span.



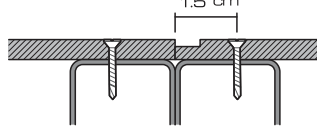
Aligning the Board and Finishing Up at the Joints

For decorative boards of grooved type, in aligning the grooved edge of board is to be joined with the linear edge so that the grooves meet.



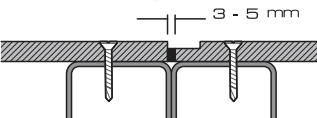
Closed Joints

Suitable for ceiling work and interior siding work only



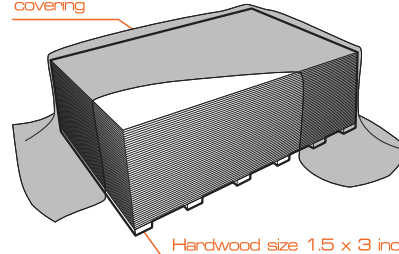
Joints with Spaced Groove for Sealing

Apply sealant to groove (polyurethane)



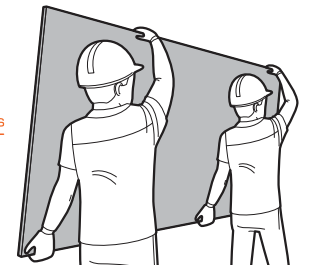
Transportation and Storage

Rain protection covering



Boards should always be lifted vertically, by supporting at the 2 edges at about 30 cm from the ends.

Boards should be stored under roof protection or with rain protection covering, and supported by hardwood of size 1.5 x 3 inches at interval spacing of every 60 cm.



Caution :

- In cutting, grinding or drilling Diamond board, should be performed in area with proper ventilation and always wearing protective equipment, for example, goggles or protective mask, to protect the eyes and nose from dust.
- In case that dust or particles get caught in eye, rinse thoroughly with clean water several times, and seek medical assistance.
- The Company reserves the right in warranty, in case of misuse or non-compliance to steps as prescribed in the installation guide.

